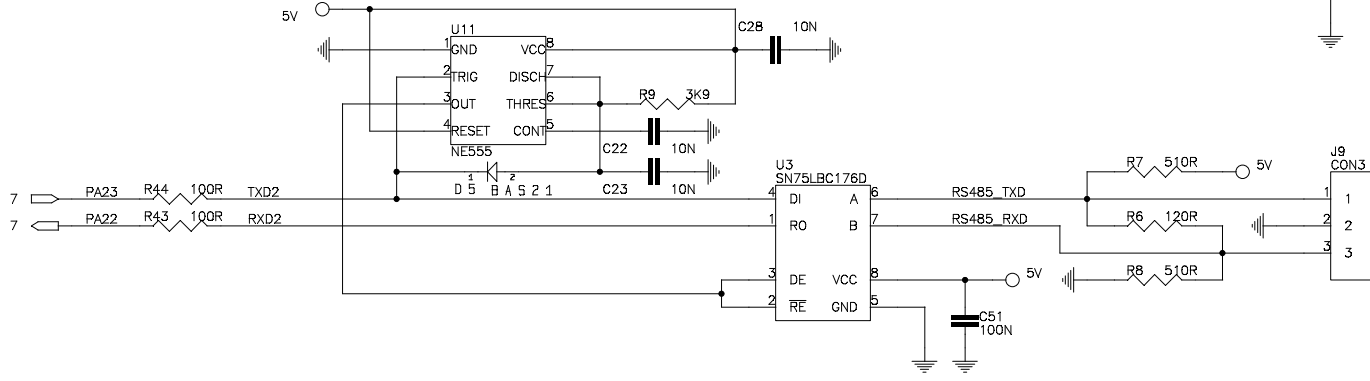
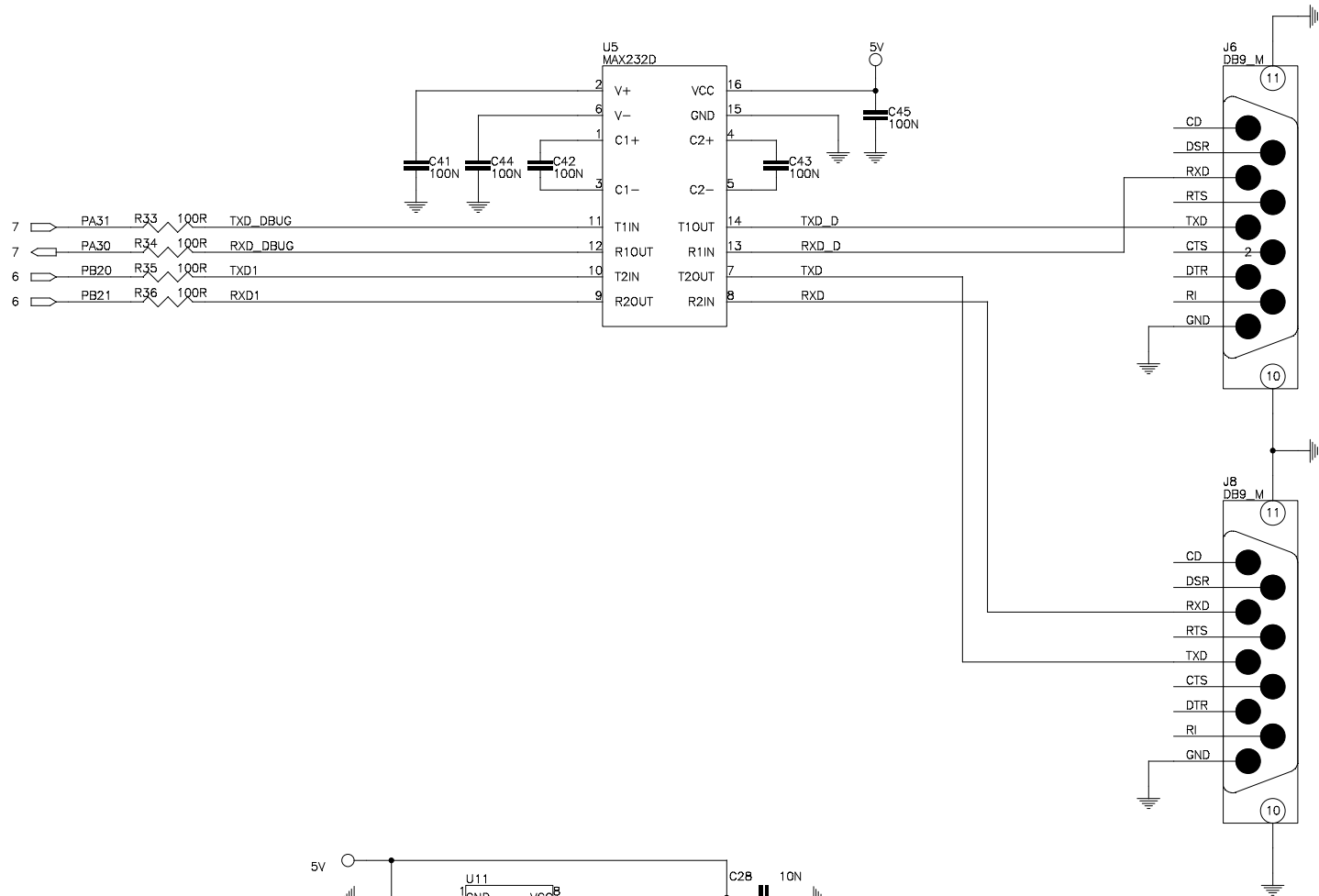
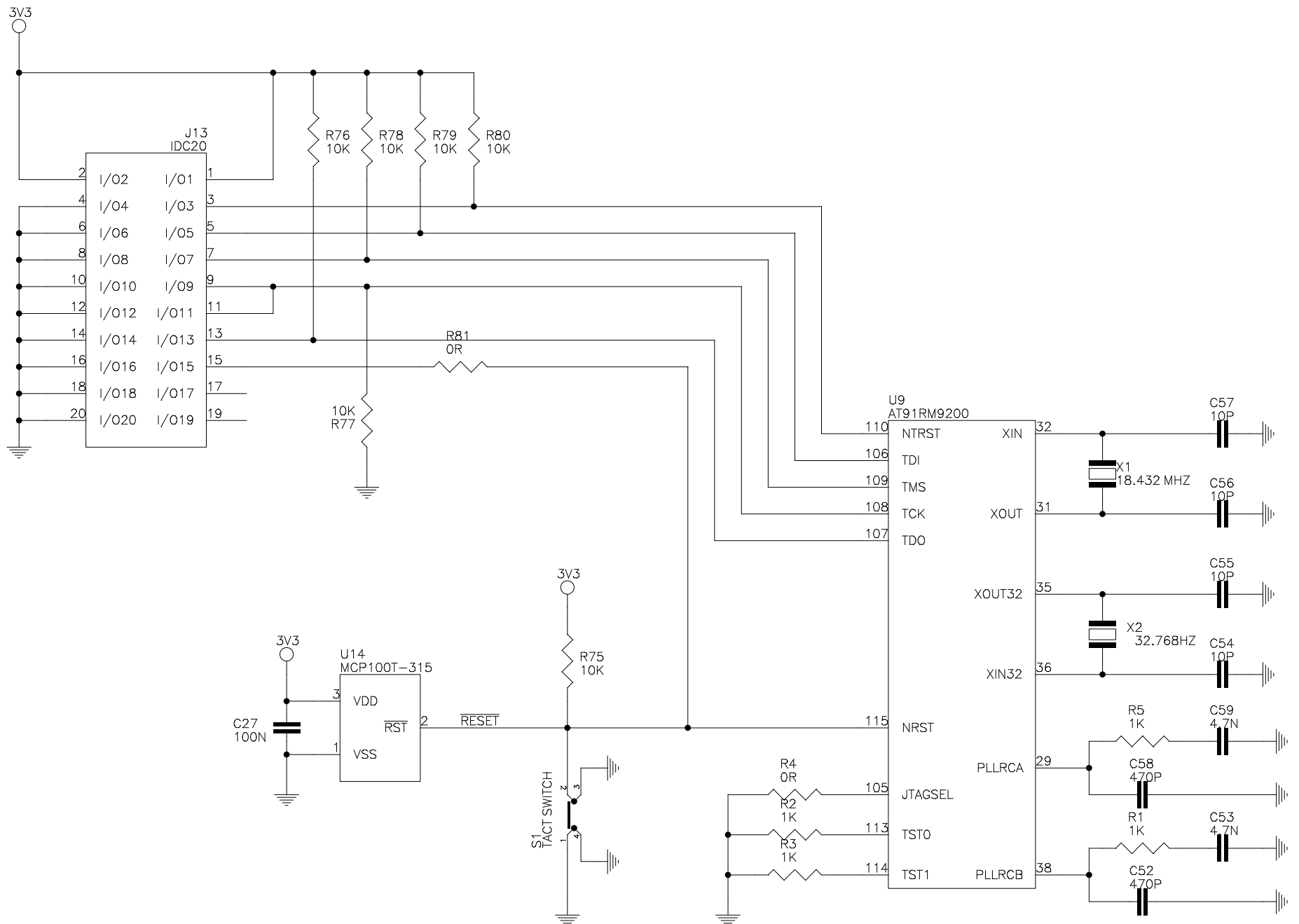


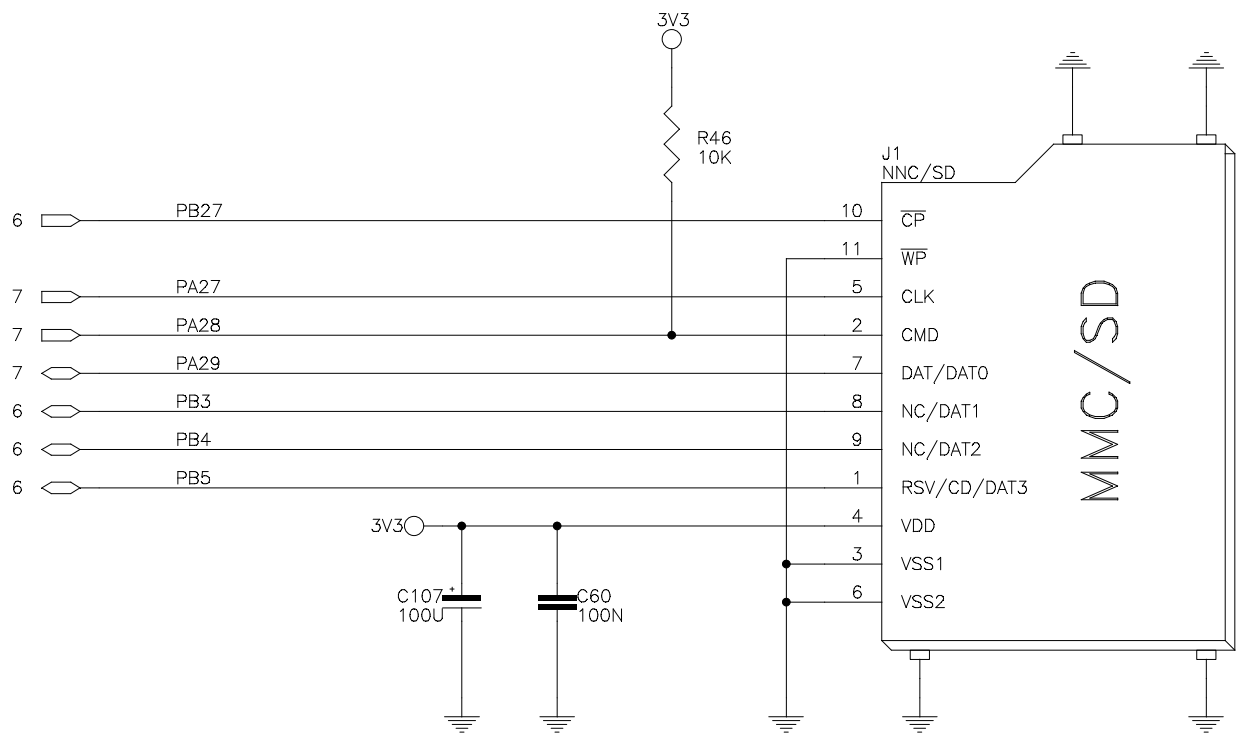
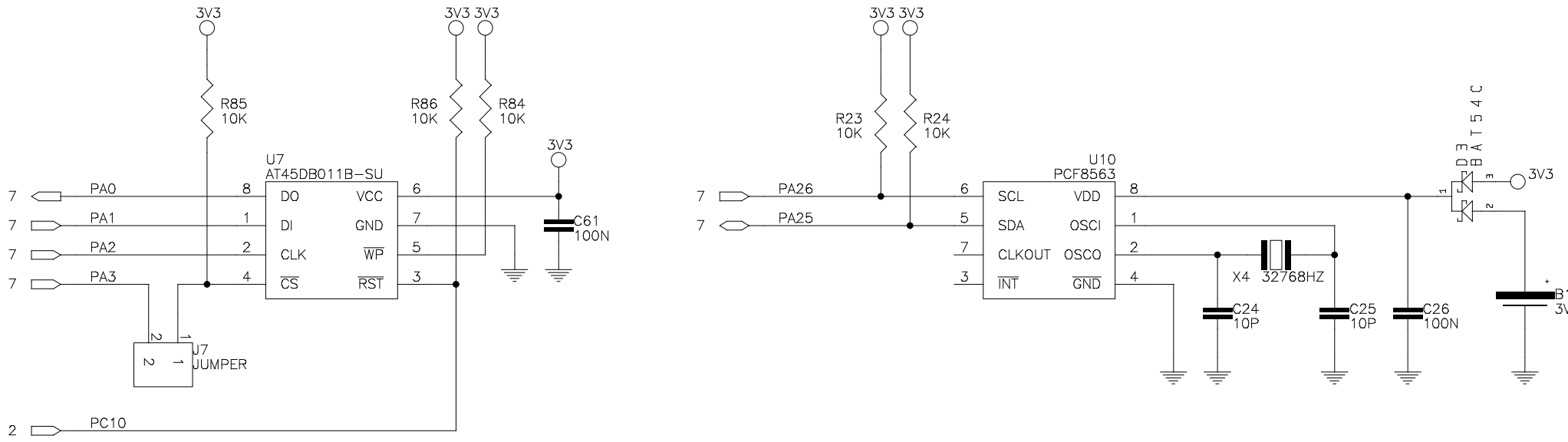
Title				POWER			
Drawn by:				Project			
				9200MB			
Size	Rev	Sheet	Date:				
A4	1	1/9	12-16-2008_19:40				







Title				CLOCKS & JTAG			
Drawn by:			Project				
			9200MB				
Size	Rev	Sheet	Date:				
A4	1	4 / 9	12-16-2008_19:40				



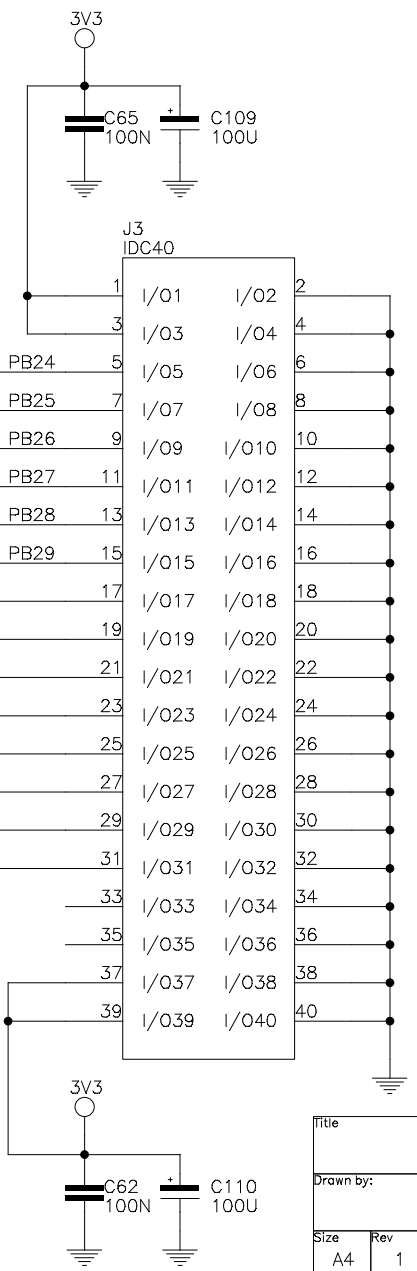
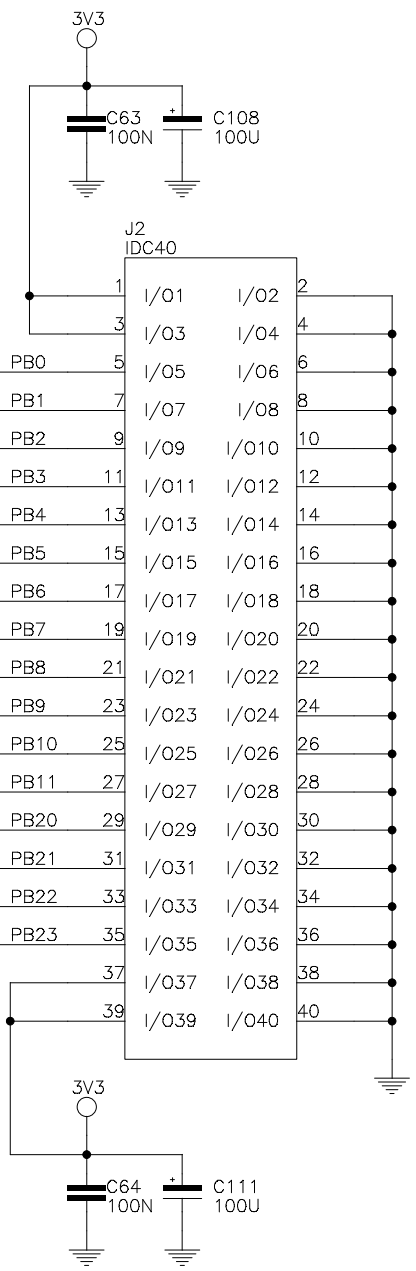
Title				
MMC CARD & SERIAL FLASH				
Drawn by:			Project	
			9200MB	
Size	Rev	Sheet	Date:	
A4	1	5/9	12-16-2008_19:40	

U9  
AT91RM9200

PB0/RTS3/TF0	80	PB0	
PB1/CTS3/TK0	81	PB1	
PB2/SCK3/TD0	82	PB2	
PB3/MCDA1/RD0	83	PB3	MMC_DAT[1]
PB4/MCDA2/RK0	84	PB4	MMC_DAT[2]
PB5/MCDA3/RF0	85	PB5	MMC_DAT[3]
PB6/TIOA3/TF1	86	PB6	
PB7/TIOB3/TK1	87	PB7	
PB8/TIOA4/TD1	88	PB8	
PB9/TIOB4/RD1	89	PB9	
PB10/TIOA5/RK1	90	PB10	
PB11/TIOB5/RF1	91	PB11	
PB12/ETX2/TF2	92	PB12	ETX2
PB13/ETX3/TK2	95	PB13	ETX3
PB14/ETXER/TD2	96	PB14	ETXER
PB15/ERX2/RD2	97	PB15	ERX2
PB16/ERX3/RK2	98	PB16	ERX3
PB17/ERXDV/RF2	99	PB17	ERXDV
PB18/ECOL/RI1	100	PB18	ECOL/RI1
PB19/RXCK/DTR1	101	PB19	ERXCK
PB20/TXD1	102	PB20	TXD1
PB21/RXD1	103	PB21	RXD1
PB22/SCK1	104	PB22	
PB23/DCD1	118	PB23	CD1
PB24/CTS1	119	PB24	CTS1
PB25/EF100/DSR1	120	PB25	DSR1
PB26/RTS1	121	PB26	RTS1
PB27/PCK0	122	PB27	
PB28/FIQ	123	PB28	
PB29/IRQ0	124	PB29	

PC[0:15]

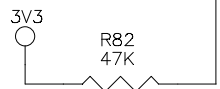
PB[0:29]



Title				PORT B			
Drawn by:			Project				
			9200MB				
Size	Rev	Sheet	Date:				
A4	1	6/9	12-16-2008_19:40				

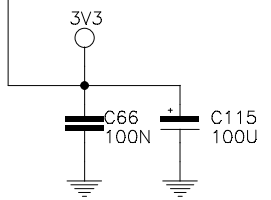
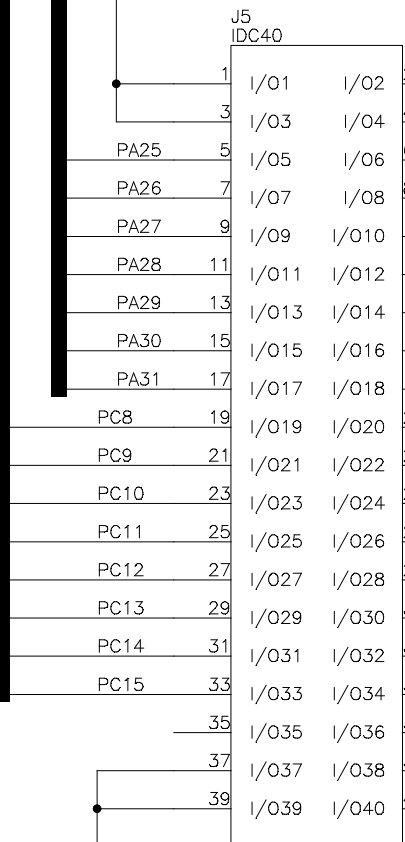
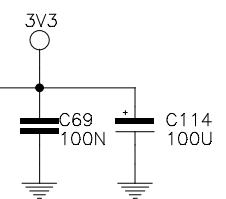
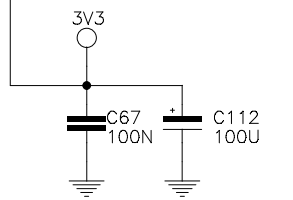
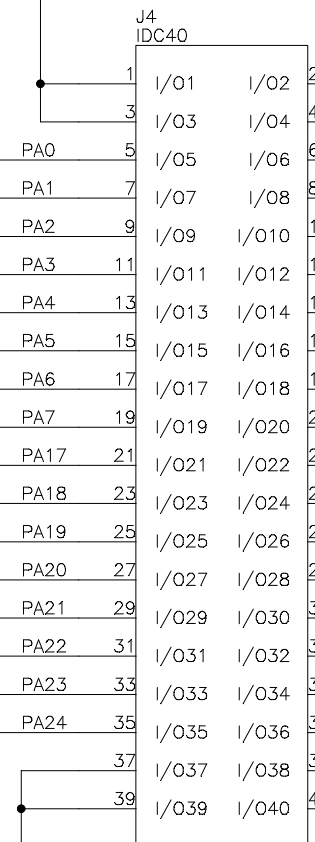
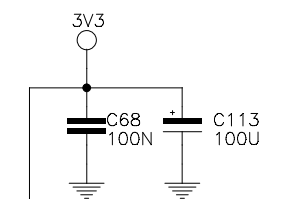
U9  
AT91RM9200

PA0/MISO/PCK3	42	PA0	MISO
PA1/MOSI/PCK0	43	PA1	MOSI
PA2/SPCK/IRQ4	44	PA2	CLK
PA3/NPCSO/IRQ5	45	PA3	CS0
PA4/NPCS1/PCK1	46	PA4	
PA5/NPCS2/TXD3	47	PA5	
PA6/NPCS3/RXD3	48	PA6	
PA7/PCK2/EXTCK	49	PA7	
PA8/ETXEN/MCCDB	50	PA8	ETXEN
PA9/ETX0/MCDB0	51	PA9	ETX0
PA10/ETX1/MCDB1	52	PA10	ETX1
PA11/ECRS/MCDB2	53	PA11	ECRS
PA12/ERX0/MCDB3	54	PA12	ERX0
PA13/ERX1/TCLK0	55	PA13	ERX1
PA14/ERXER/TCLK1	58	PA14	ERXER
PA15/EMDC/TCLK2	59	PA15	EMDC
PA16/EMDIO/IRQ6	60	PA16	EMDIO
PA17/TXD0/TIOA0	61	PA17	
PA18/RXD0/TIOB0	64	PA18	
PA19/SCK0/TIOA1	65	PA19	
PA20/CTS0/TIOB1	66	PA20	
PA21/RTS0/TIOA2	67	PA21	
PA22/RXD2/TIOB2	68	PA22	
PA23/TXD2/IRQ3	69	PA23	
PA24/SCK2/PCK1	70	PA24	
PA25/TWD/IRQ2	71	PA25	
PA26/TWCK/IRQ1	72	PA26	
PA27/MCCK/TCLK3	73	PA27	MMC_CLK
PA28/MCCDA/TCLK4	74	PA28	MMC_CDA
PA29/MCDA0/TCLK5	77	PA29	MMC_DAT[0]
PA30/DRXD/CTS2	78	PA30	
PA31/BMS/DTXD/RTS2	79	PA31	

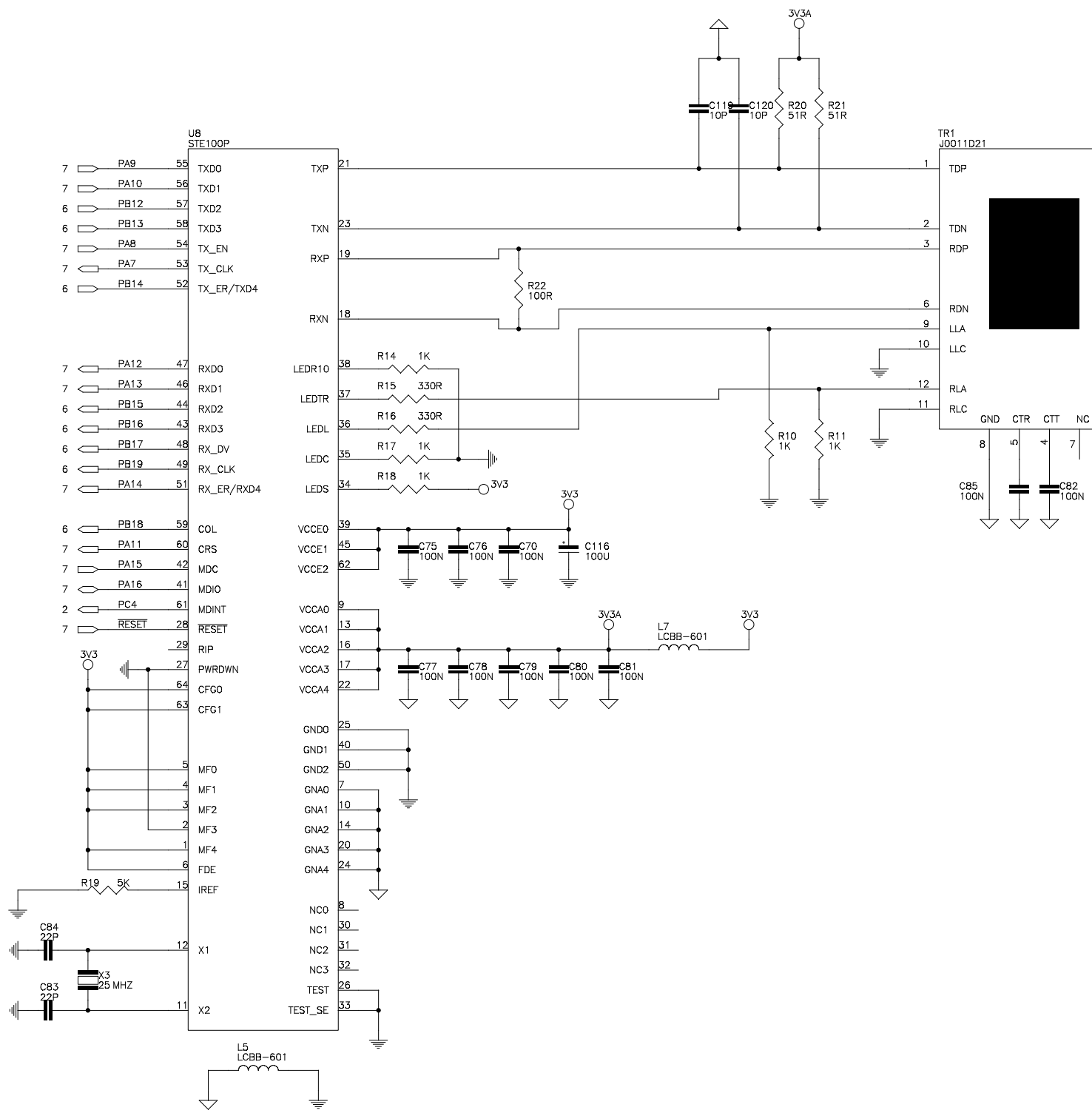


PC[0:15]

PA[0:31]



Title				PORT A			
Drawn by:			Project				
			9200MB				
Size	Rev	Sheet	Date:				
A4	1	7/9	12-16-2008_19:40				

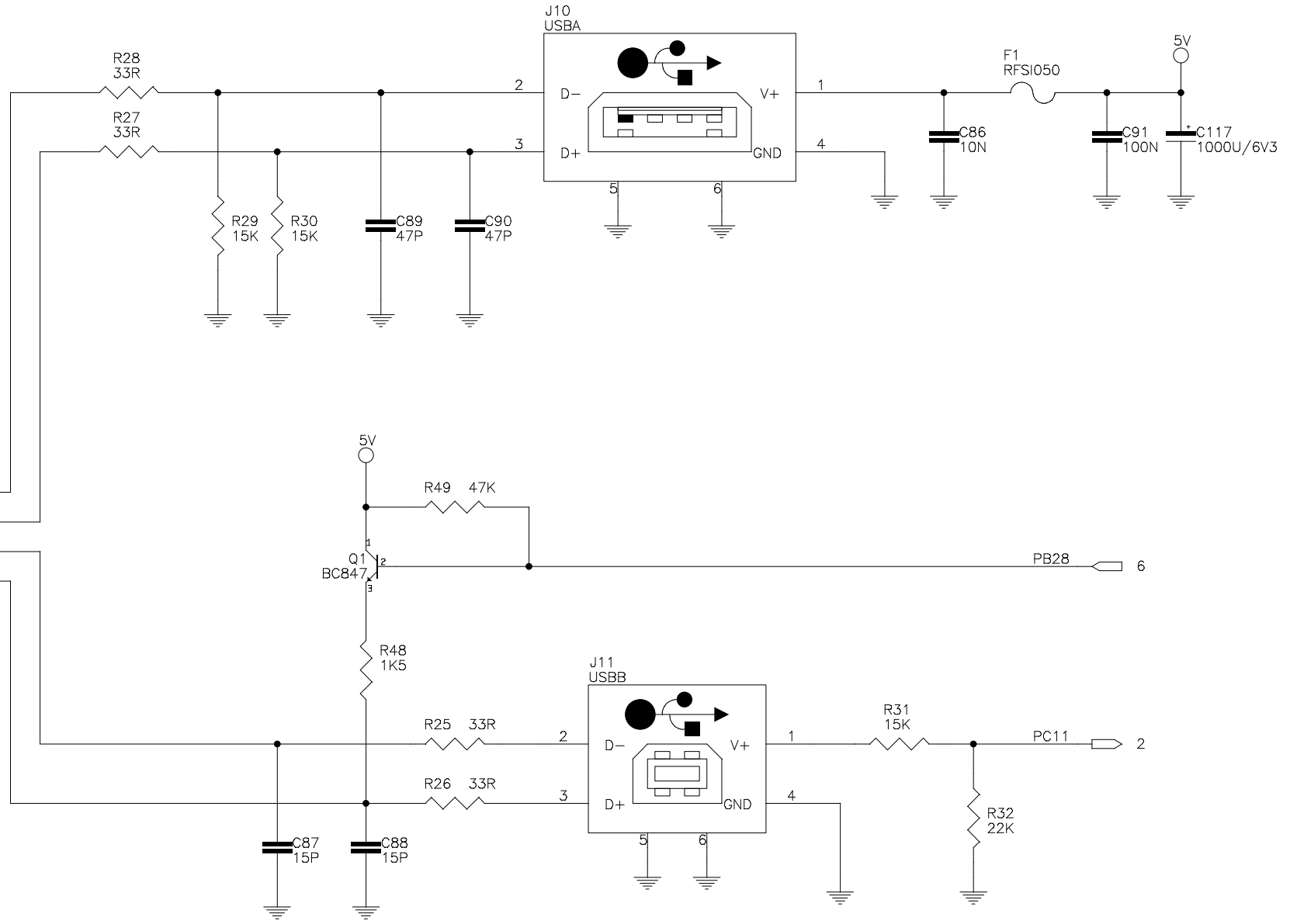


File: ETHERNET			
Drawn by:		Project: 9200MB	
Size: A3	Rev: 1	Sheet: 8/9	Date: 12-16-2008_19:40



U9  
AT91RM9200

HDMA 125  
HDPA 126  
DDM 127  
DDP 128



Title					USB				
Drawn by:				Project					
				9200MB					
Size	Rev	Sheet	Date:						
A4	1	9/9	12-16-2008_19:40						